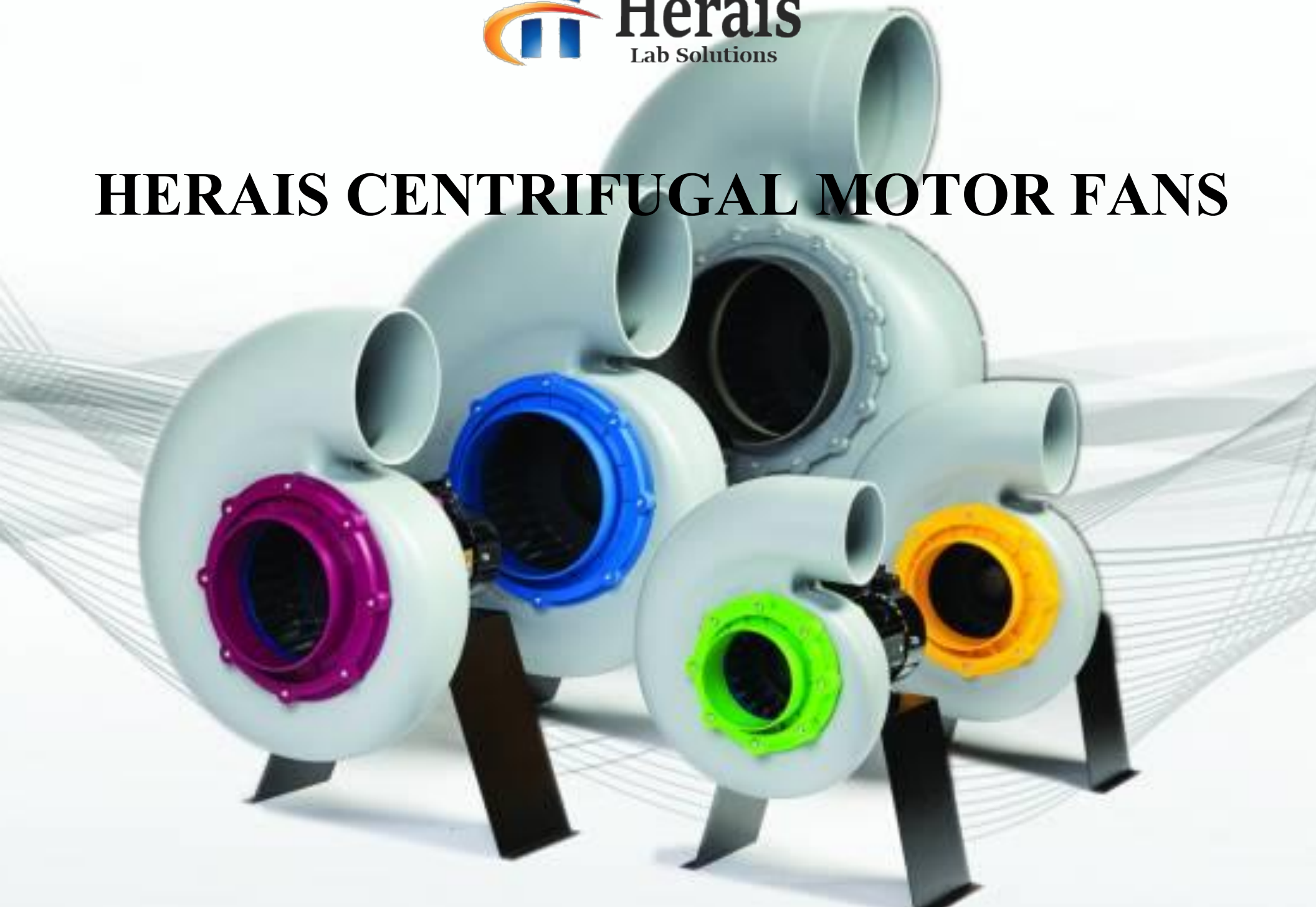




# HERAIS CENTRIFUGAL MOTOR FANS





## CONTENTS

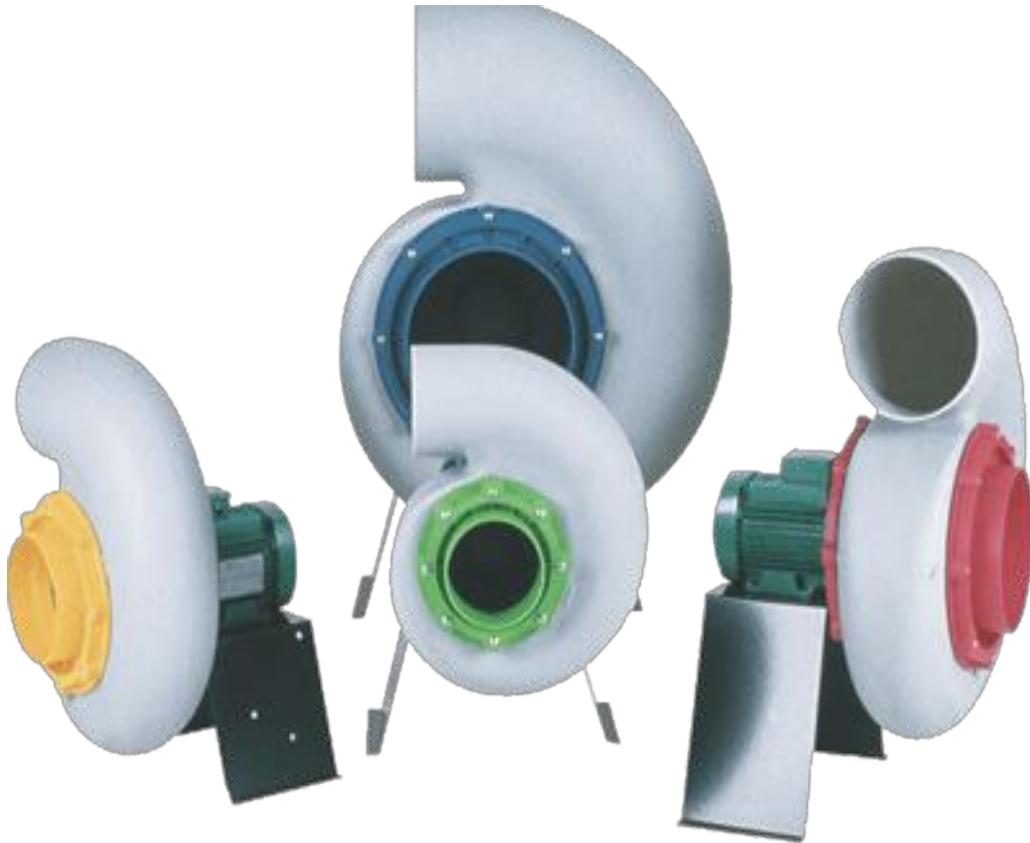
**PP Centrifugal fan.....3**

**Chemical Resistant Centrifugal Fan..... 4**

**Chemical Resistant PVC Centrifugal Fan.....5**

**Steel Centrifugal Fan.....6**

**Automatic Variable Air Volume Damper.....7**



HERAIS is committed to making sound decisions to manage our environmental footprint and protect the environment.



ACCREDITATION CANADA  
AGRÉMENT CANADA

## INLET PP CENTRIFUGAL FAN WITH MOTOR

**SE 20**

**SE 25**

Model	Phase	kW	HP	g/min rpm	dB(A)
SE 20 (6")	1/3	0.25	0.35	1450	65
SE 25 (8")	1/3	0.37	0.5	1450	73



## INLET PP CENTRIFUGAL FAN WITH MOTOR

**SE 30**

**SE 35**

Model	Phase	kW	HP	g/min rpm	dB(A)
SE 30 (10")	1/3	1.1	1.5	1450	78
SE 35 (12")	3	5.5	7.5	1450	86



## CHEMICAL RESISTANT CENTRIFUGAL FAN STO

**STO 12**

**STO 14**

**STO 16**



Model	Phase	kW	HP	g/min rpm	dB(A)
STO 12	1/3	0.37	1.5	1450	56.8
STO 14	1/3	1.1	1.5	1450	61.1
STO 16	1/3	2.2	3	1450	77.7

## CHEMICAL RESISTANT CENTRIFUGAL FAN

**SB 20**

**SB 25**

Model	Phase	kW	HP	g/min rpm	dB(A)
SB 20 (8")	1/3	1.1	1.5	2900	70
SB 25 (10")	3	2.2	3	2900	72



### CHEMICAL RESISTANT CENTRIFUGAL PVC INLINE FAN

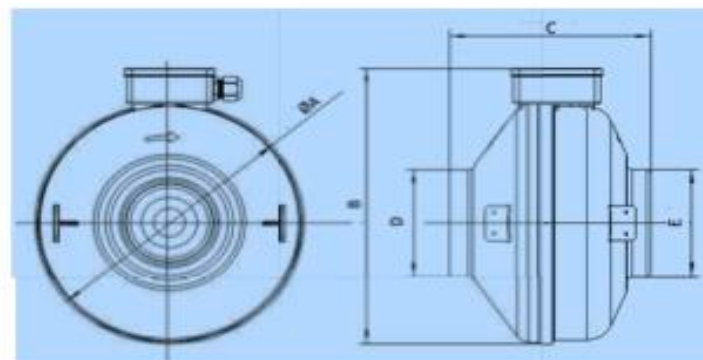
-FM 100

-FM 160

-FM 200



Model	Phase	kW	g/min rpm	dB(A)
-FM 100	1	0.06	2552	38
-FM 160	1	0.09	2101	40
-FM 200	1	0.13	2323	47



Model	Dimension				
	øA	B	C	D	E
-FM 100	280	332	210	98	98
-FM 160	310	352	242	158	158
-FM 200	340	382	253	198	198

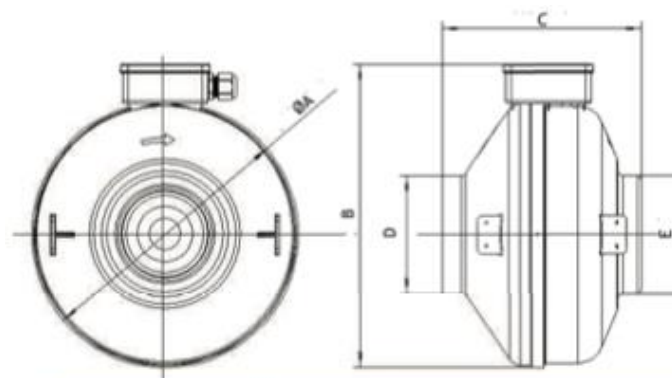
### CHEMICAL RESISTANT CENTRIFUGAL PVC INLINE FAN

-FM 250

-FM 315



Model	Phase	kW	g/min rpm	dB(A)
-FM 250	1	0.14	2415	48
-FM 315	1	0.21	2394	54



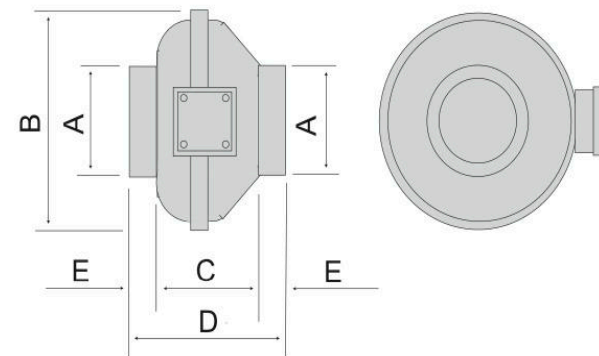
Model	Dimension				
	øA	B	C	D	E
-FM 250	350	387	237	248	248
-FM 315	415	457	254	313	313

## Steel In-Line centrifugal fans 100 to 315 mm diameter



### SPECIFICATION

- |  |   |
|--|---|
| <ul style="list-style-type: none"> <li><input type="checkbox"/> <b>Casing</b><br/>Galvanised sheet steel. With inlet and outlet spigots.</li> <li><input type="checkbox"/> <b>Impeller</b><br/>Backward curved centrifugal. Temperatures of -30 to +60 °C.</li> <li><input type="checkbox"/> <b>Motor</b><br/>Low noise external rotor motor with two speeds (except RR 100 A) and ball bearings.</li> <li><input type="checkbox"/> <b>Motor protection</b><br/>Thermal contacts wired in series as standard.</li> </ul> | <ul style="list-style-type: none"> <li><input type="checkbox"/> <b>Terminal box</b><br/>All terminal boxes are mounted on the casing and IP 55.</li> <li><input type="checkbox"/> <b>Speed control</b><br/>All fans are two speed and all models are speed controllable using the controllers below.</li> <li><input type="checkbox"/> <b>Installation</b><br/>Installation in any position.</li> <li><input type="checkbox"/> <b>Sound levels</b><br/>Sound levels are given below.</li> <li><input type="checkbox"/> <b>Protection</b><br/>Splashproof to IP 44.</li> </ul> |
|--|---|



### ANCILLARIES

Fan nominal size in mm	Pipe Clamps (pair)	Foot	Guard	Backdraught butterfly shutter	In-line filter box G4	In-line filter box F7	Electric heater single phase (EHR-R kW/dia)	Electric heater with pulser control (dia/kW)	Silencer (SRSD dia/length)	Fan nominal size in mm	Dimensions in mm				
											A	B	C	D	E
100 A	BM 100	MK 2	SGR 100	RSKK 100	LFBR 100 G4	LFBR 100 F7	EHR-R 1/100	CV 10/04/1	SRSD 100/600	100 A	100	242	150	198	24
100 C	BM 100	MK 2	SGR 100	RSKK 100	LFBR 100 G4	LFBR 100 F7	EHR-R 1/100	CV 10/04/1	SRSD 100/600	100 C	100	242	150	198	24
125 C	BM 125	MK 2	SGR 125	RSKK 125	LFBR 125 G4	LFBR 125 F7	EHR-R 1.5/125	CV 12/12/1	SRSD 125/600	125 C	125	242	150	198	24
150 B	BM 150	MK 2	SGR 160	RSK 160	LFBR 160 G4	LFBR 160 F7	EHR-R 2.5/150	CV 12/12/1	SRSD 150/600	150 B	150	272	142	198	28
150 C	BM 150	MK 2	SGR 160	RSK 160	LFBR 160 G4	LFBR 160 F7	EHR-R 2.5/150	CV 16/09/1	SRSD 150/600	150 C	150	344	174	230	28
160 B	BM 160	MK 2	SGR 160	RSK 160	LFBR 160 G4	LFBR 160 F7	EHR-R 2.4/160	CV 16/09/1	SRSD 160/600	160 B	160	272	135	195	30
160 C	BM 160	MK 2	SGR 160	RSK 160	LFBR 160 G4	LFBR 160 F7	EHR-R 2.4/160	CV 16/09/1	SRSD 160/600	160 C	160	344	170	230	30
200 A	BM 200	MK 2	SGR 200	RSK 200	LFBR 200 G4	LFBR 200 F7	EHR-R 5/200	CV 20/21/1	SRSD 200/600	200 A	200	344	179	235	28
200 C	BM 200	MK 2	SGR 200	RSK 200	LFBR 200 G4	LFBR 200 F7	EHR-R 5/200	CV 20/21/1	SRSD 200/600	200 B	200	344	179	235	28
250 A	BM 250	MK 2	SGR 250	RSK 250	LFBR 250 G4	LFBR 250 F7	EHR-R 6/250	CV 25/30/1	SRSD 250/600	250 A	250	344	170	230	30
250 C	BM 250	MK 2	SGR 250	RSK 250	LFBR 250 G4	LFBR 250 F7	EHR-R 6/250	CV 25/30/1	SRSD 250/600	250 C	250	344	170	230	30
315 A	BM 315	MK 3	SGR 315	RSK 315	LFBR 315 G4	LFBR 315 F7	EHR-R 8/315	CV 31/54/1	SRSD 315/600	315 A	315	402	189	257	34
315 C	BM 315	MK 3	SGR 315	RSK 315	LFBR 315 G4	LFBR 315 F7	EHR-R 8/315	CV 31/54/1	SRSD 315/600	315 C	315	402	189	257	34

## AUTOMATIC VARIABLE AIR VOLUME DAMPER

DP 06

DP 08

DP 10

DP 12

Model	DP 06	DP 08	DP 10	DP 12
Diameter (mm):	150 mm	200 mm	250 mm	300 mm





# HERAIS INTERNATIONAL

100 Bessemer Rd. London ON N6E 1R2 Canada

[www.herais.ca](http://www.herais.ca)

Tel: +1 519 800 1353

Email: [higt@windowlive.com](mailto:higt@windowlive.com)

[www.heraisprojects.com](http://www.heraisprojects.com)

